

Bipolaire Microstep Driver SJ030

Specifications:

Power Supply

Minimum Voltage : 24 Vdc
Maximum Voltage : 40 Vdc

Microsteps

Minimum number of microsteps : 2
Maximum number of microsteps : 40

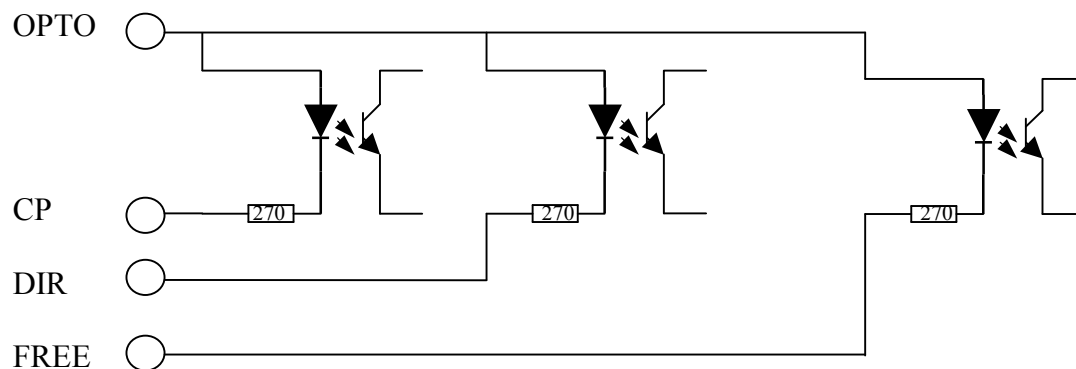
Number of Phases : 2

Steppermotor

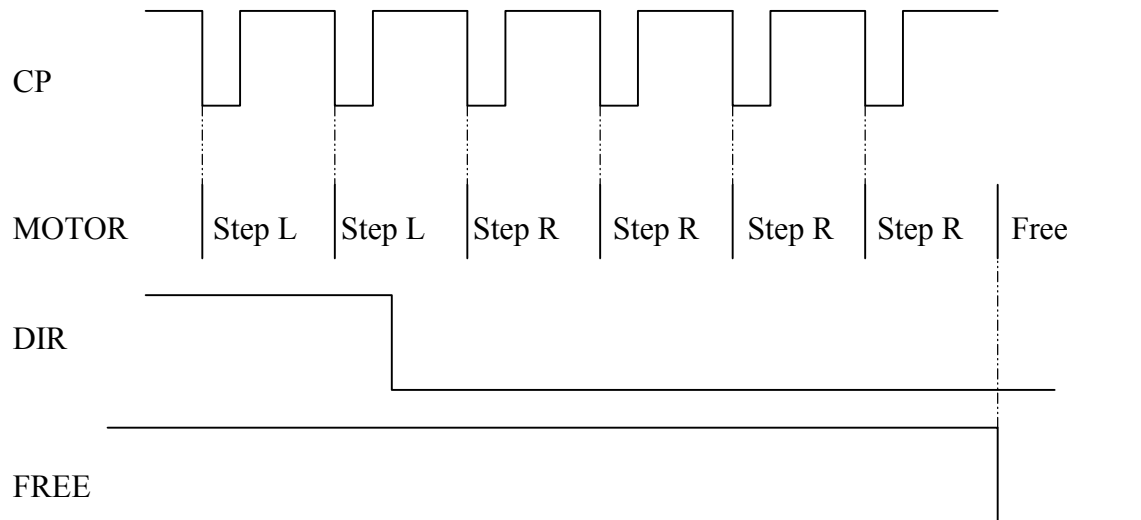
Minimum Phase Current : 0.5 A
Maximum Phase Current : 3.0 A

Number of steppermotor wires (2 phase) : 4, 6, 8

Optocouplers :



Signals



Dipswitches

S1,S2,S3	microsteps	Step	Step / Rotation
0 0 0	2	0.9°	400
0 0 1	5	0.45°	1000
0 1 0	10	0.18°	2000
0 1 1	20	0.09°	4000
1 0 0	40	0.045°	8000

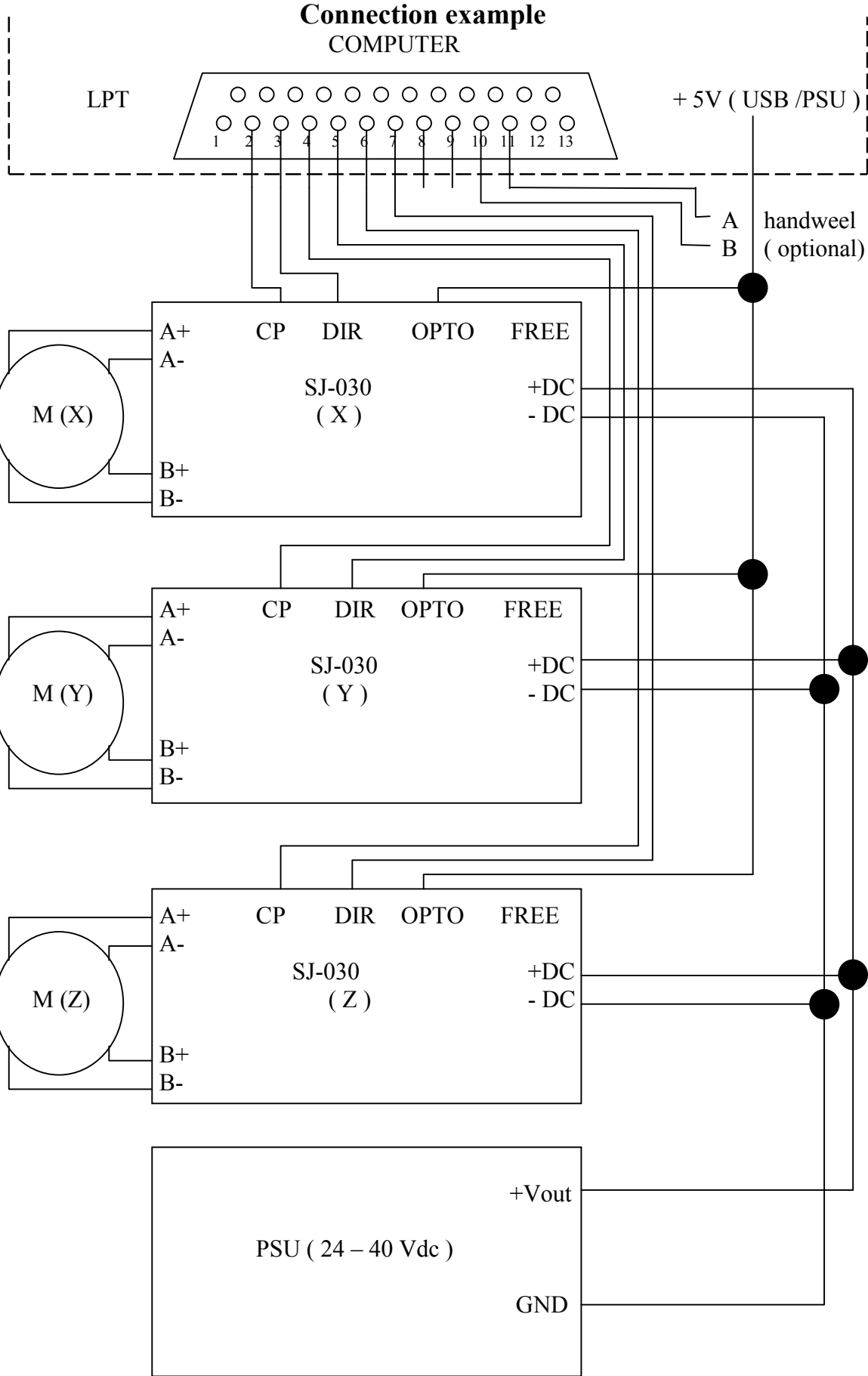
S4 = 1

S5 = 1

S6 S7 S8	Current	S6,S7,S8	Current
0 0 0	0.5 A	1 0 0	1.7 A
0 0 1	1.0 A	1 0 1	2.0 A
0 1 0	1.3 A	1 1 0	2.4 A
0 1 1	1.5 A	1 1 1	3.0 A

Connections

OPTO	: + 5 V
CP	: STEP
DIR	: DIRECTION
FREE	: SWITCH (optional)
+ DC	: Positive of Power Supply
- DC	: Negative of Power Supply (or ground)
A	: A connection of 1 phase of stepper motor
A\	: A\ connection of 1 phase of stepper motor
B	: B connection of 2 phase of stepper motor
B\	: B\ connection of 2 phase of stepper motor



Standard Connections (Example)

X-axes

OPTO : + 5 V
CP : LPT - 2
DIR : LPT - 3
FREE : NC

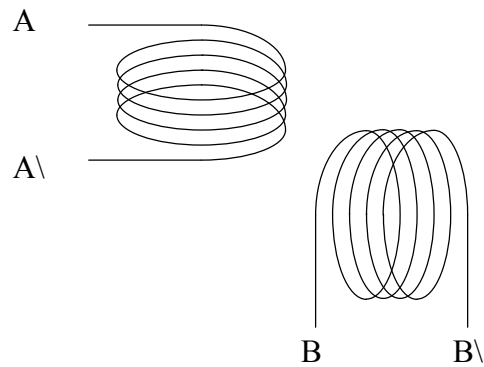
Y-axes

OPTO : + 5 V
CP : LPT - 4
DIR : LPT - 5
FREE : NC

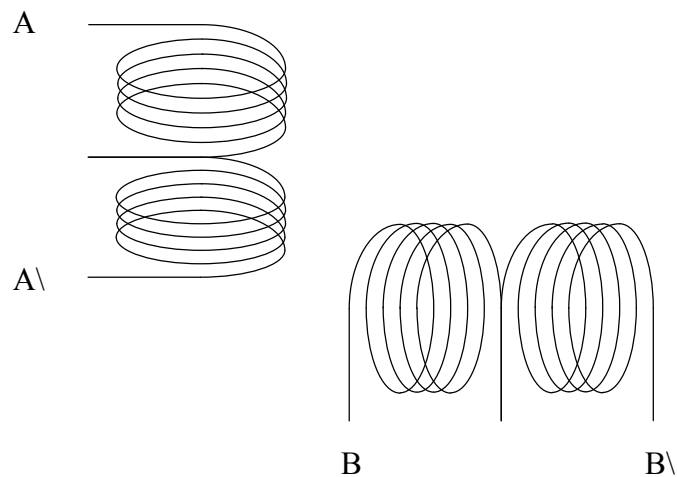
Z-axes

OPTO : + 5 V
CP : LPT - 6
DIR : LPT - 7
FREE : NC

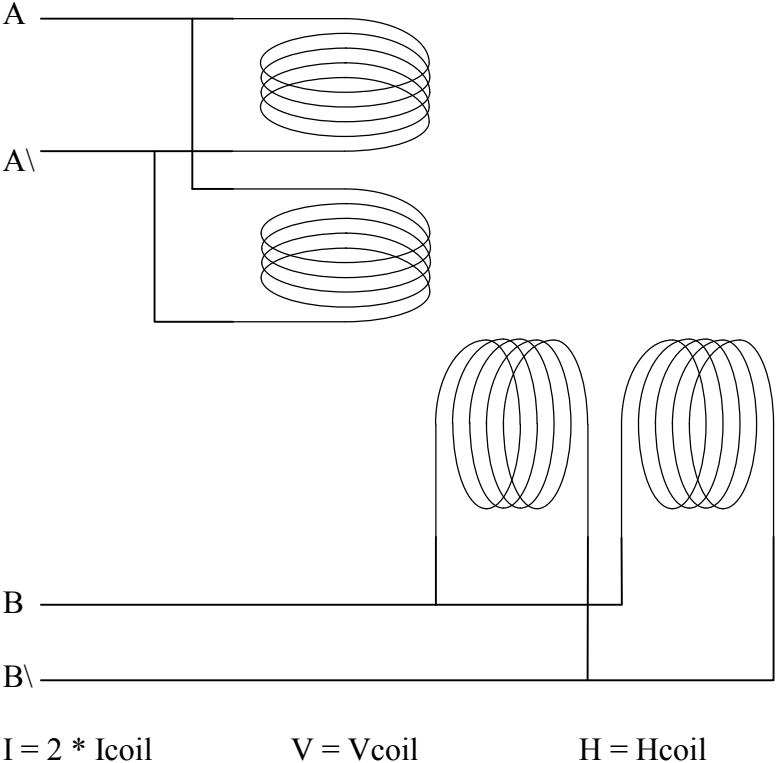
4 Wire 2 phase steppermotor



6 Wire 2 phase steppermotor



**8 Wire 2 phase stepper motor
Parallel connected**



**8 Wire 2 phase stepper motor
Serial connected**

