

2 Phase hybride stappenmotor / 2 Phase hybride steppermotor

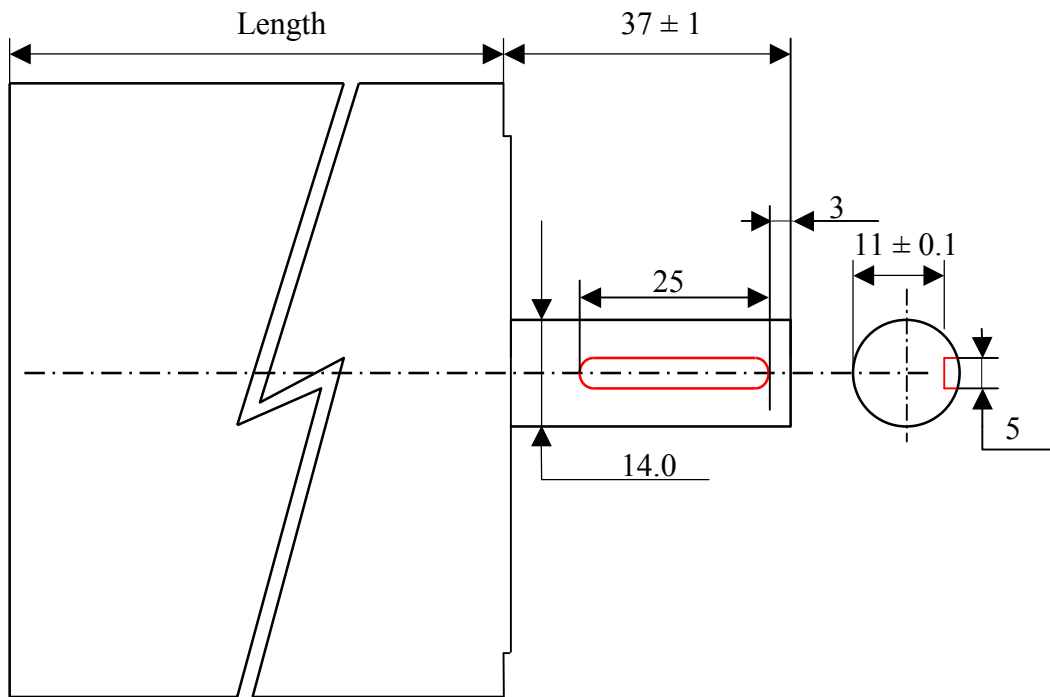
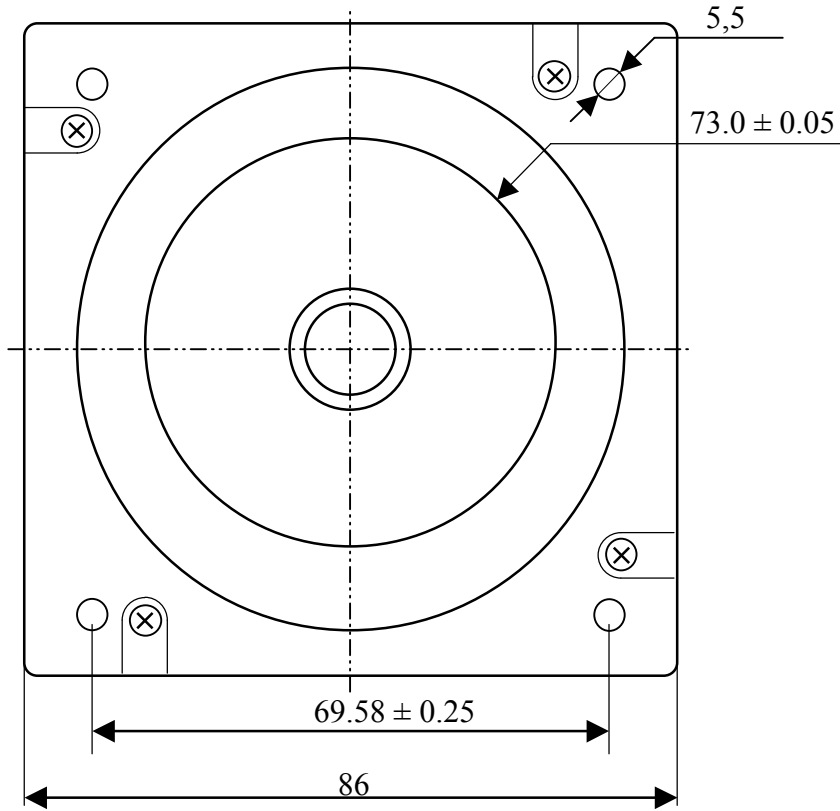
Moteur hybride pas à pas 2 phases / 2 Phase hybride Schrittmotor

Size 34 Series

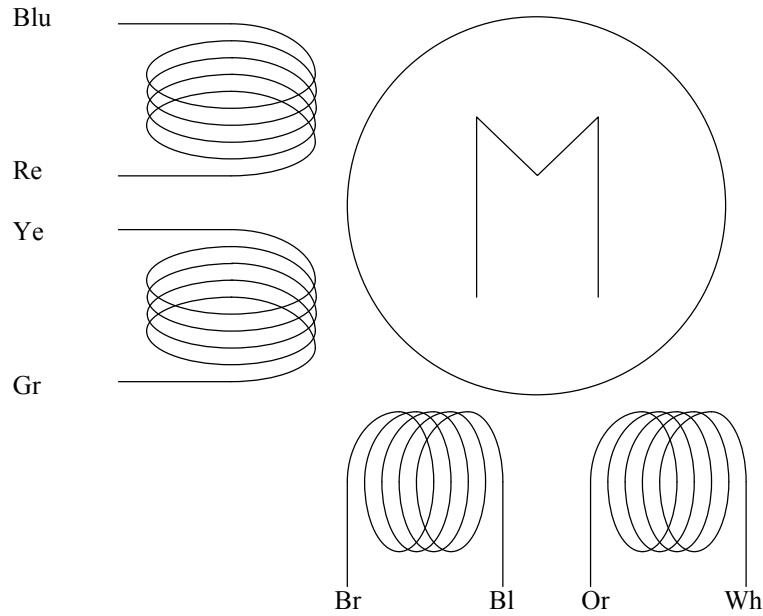
Step Angle : 1.8 Degree
 Positional Accuracy : 5%
 Number of phases : 2
 Temperature rise : 80 degree max.
 Dielectric strength : 500 Vdc
 Insulation resistance : 100 Mohm (500 Vdc)
 Insulation class : B
 Radial play : 0.025 mm (450 g load)

	N	A	Ohm	V	mH	gcm2	Kg	mm
34SM080-050-8W-SB-4	4	2.5	0.76	1.9	3.8	1600	2.4	80
34SM095-064-8W-SB-6.4	6.4	3.1	0.85	2.6	3.5	2800	3.4	95
34SM155-058-8W-SB-12	12	2.9	1.5	4.35	9.4	4800	5.2	155

N (Nm)	= Koppel	= Torque	= Haltemoment	= couple
A (Ampere)	= Stroom / spoel	= Current / coil	= Strom / spule	= le courant / bobine
Ohm (Ohm)	= Weerstand / spoel	= Resistance / coil	= wiederstand / spule	= resistance / bobine
V (Volt)	= Spanning / spoel	= Voltage / coil	= spannung / spule	= tension / bobine
MH (mH)	= Zelfinductie / spoel	= Selfinduction / coil	= Selfinduction / spule	= l'inductance / bobine
Gcm2 (Gcm2)	= Rotor inertia	= Rotor inertia	= Rotor inertia	= le inertia de rotor
Kg (Kg)	= Gewicht van motor	= Weight of steppermotor	= Motorgewicht	= le poids de moteur
Mm (mm)	= Lengte van motor	= Length of steppermotor	= Motor länge	= la longueur de moteur



Draden / wires / leitungen / fils



Blu	= Blauw	= Blue	= Blau	= Bleu
Re	= Rood	= Red	= Rot	= Rouge
Ye	= Geel	= Yellow	= Gelb	= Jaune
Gr	= Groen	= Green	= Grün	= Vert
Br	= Bruin	= Braun	= Braun	= Brun
Bl	= Zwart	= Black	= Zwart	= Noir
Or	= Oranje	= Orange	= Orange	= Orange
Wh	= Wit	= White	= Weiss	= Blanc

Aansluitingen / Wiring / anslusse / les raccordements

Bipolair Parallel :	Motor		Driver
	Blu + Ye	→	A+
	Re + Gr	→	A-
	Br + Or	→	B+
	Bl + Wh	→	B-
Maximum torque	= maximum torque		
Maximum current	= 2 * Current / coil		
Self induction	= Induction / coil		

Bipolair Serieel :	Motor		Driver
	Blu	→	A+
	Re + Ye		
	Gr	→	A-
	Br	→	B+
	Bl + Or		
	Wh	→	B-
Maximum torque	= maximum torque		
Maximum current	= Current / coil		
Self induction	= 4 * Induction / coil		

Unipolair :	Motor		Driver
	Blu	→	A+
	Re + Ye	→	+ V
	Gr	→	A-
	Br	→	B+
	Bl + Or	→	+V
	Wh	→	B-
Maximum torque	= maximum torque / 1.4		
Maximum current	= 1.4 * Current / coil		
Self induction	= Induction / coil		